

Wardrobe Carcass Assembly instructions

ACCESSORIES

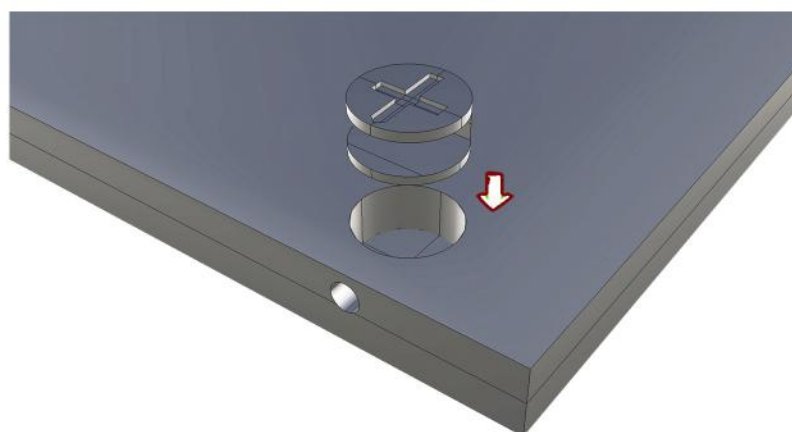
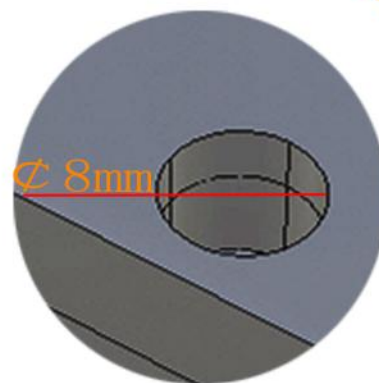


Before the installation

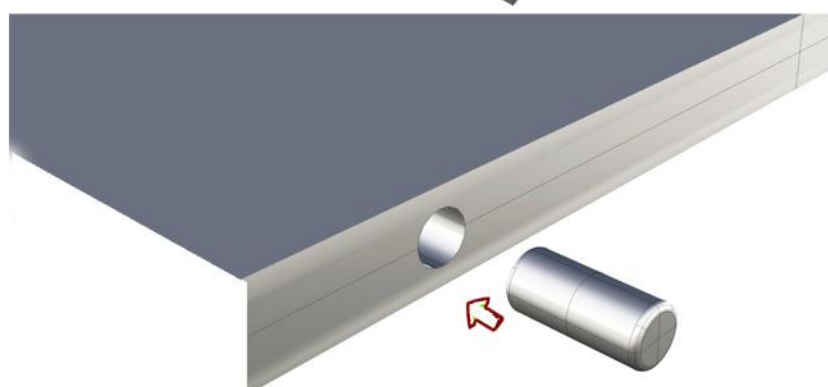
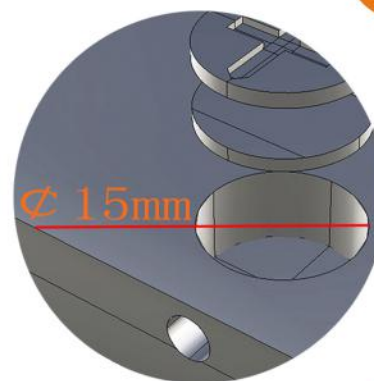
Plastic embedded part has been installed in factory



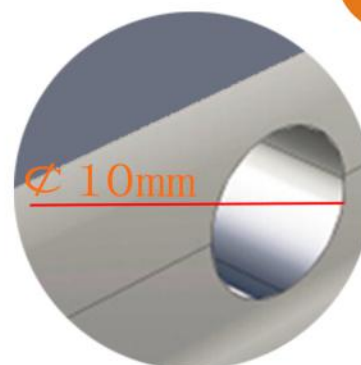
1



2



3

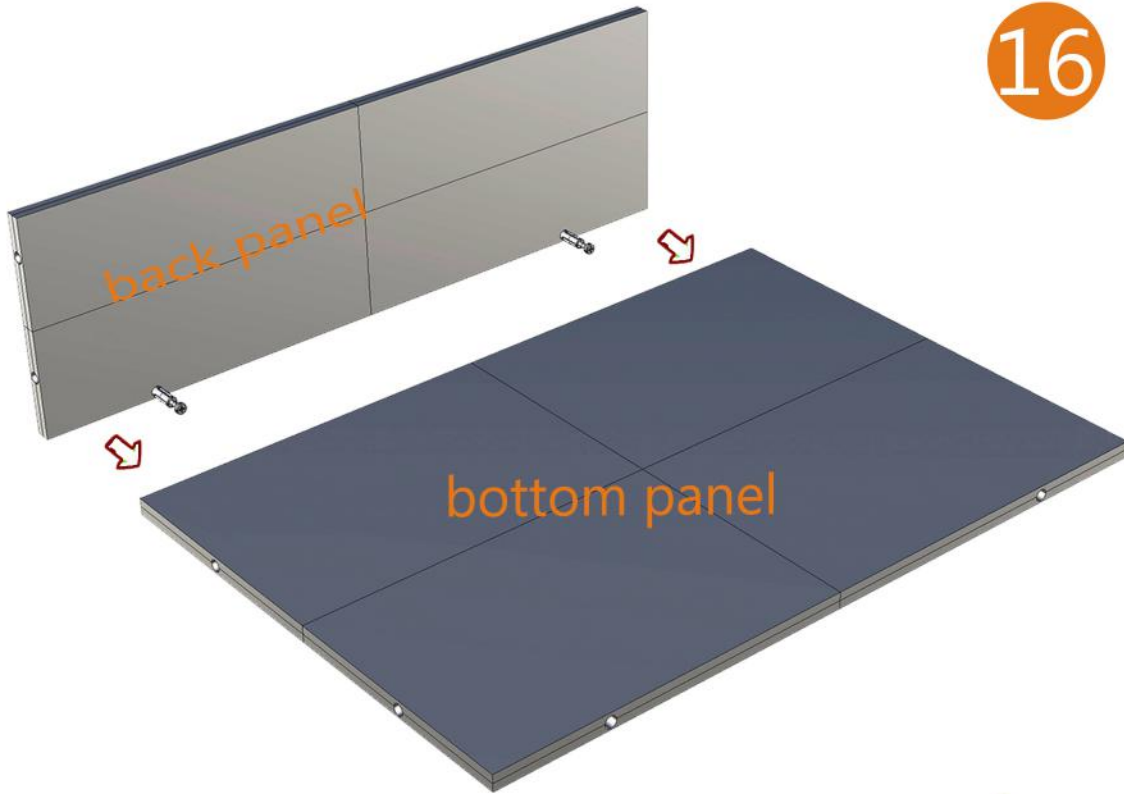


Wardrobe Carcass Assembly instructions

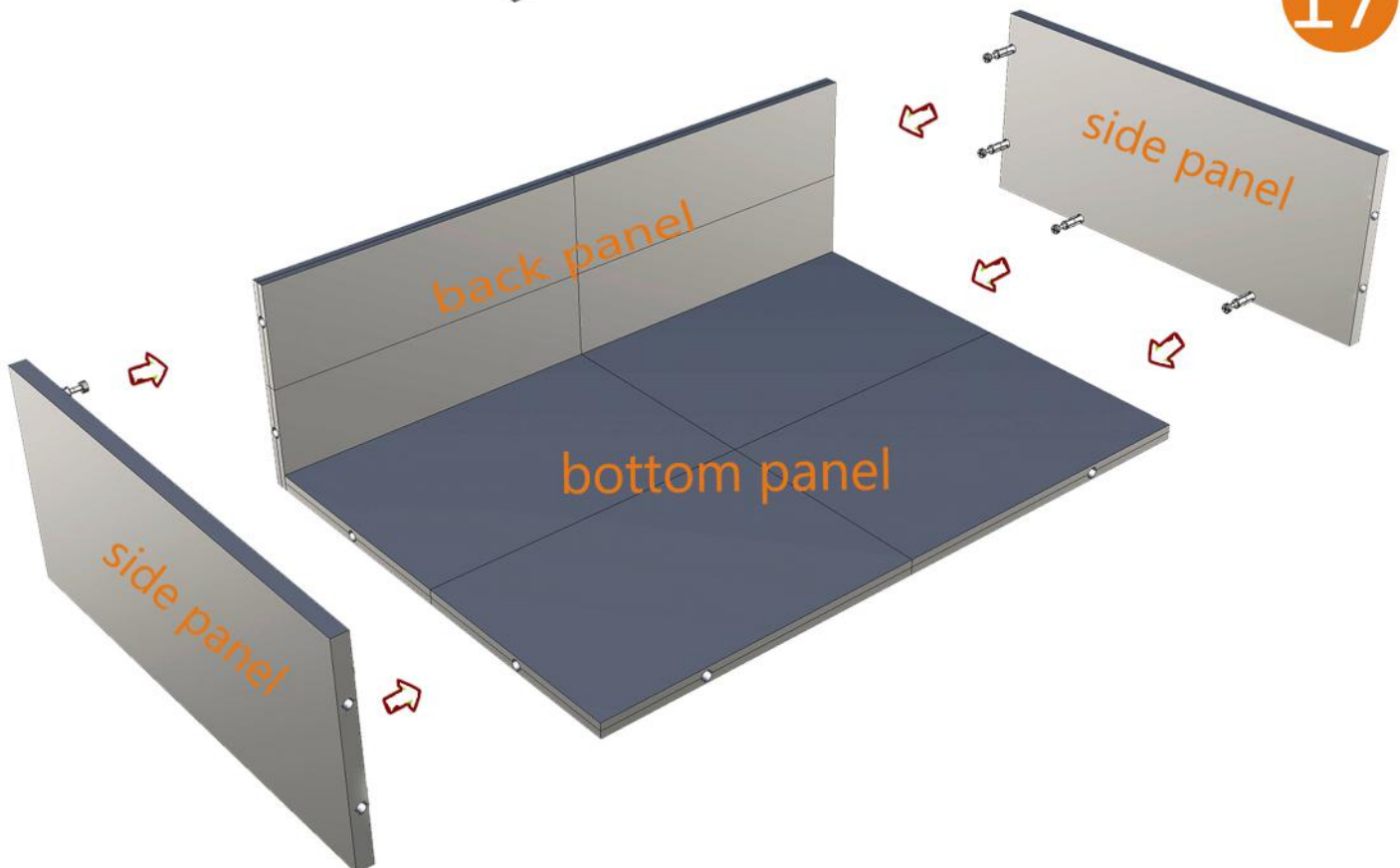
PROCESS

Drawer installation instruction

16



17

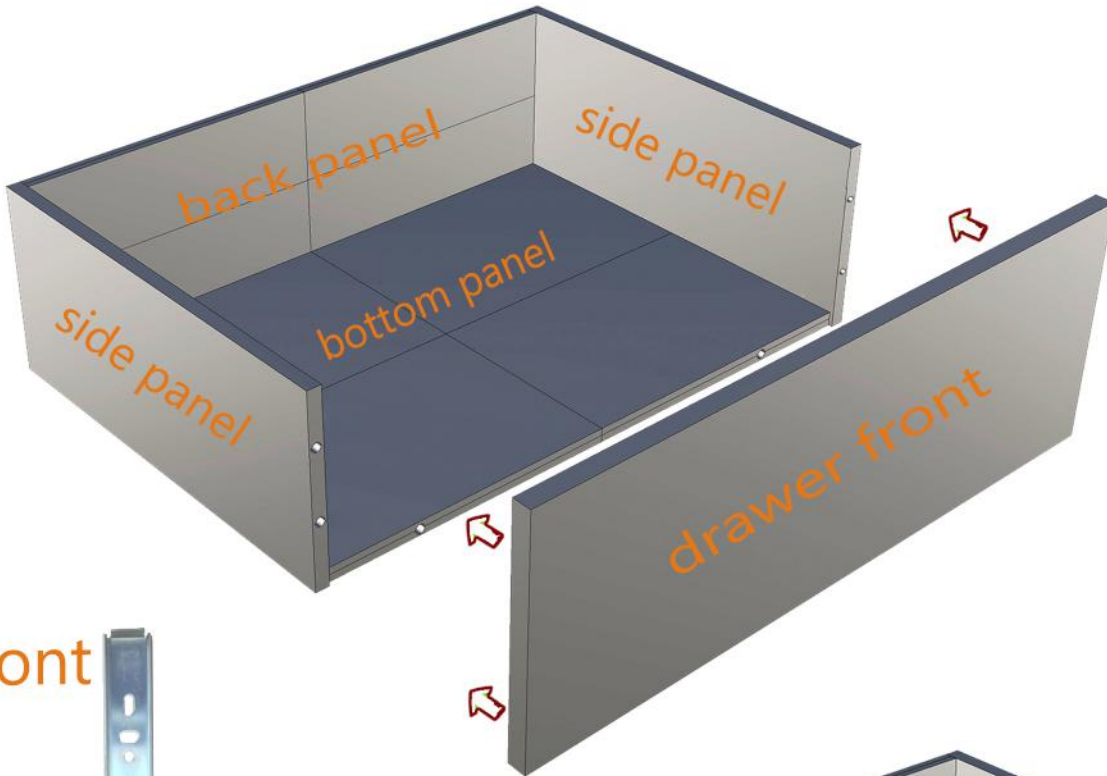


Wardrobe Carcass Assembly instructions

PROCESS

Drawer installation instruction

18

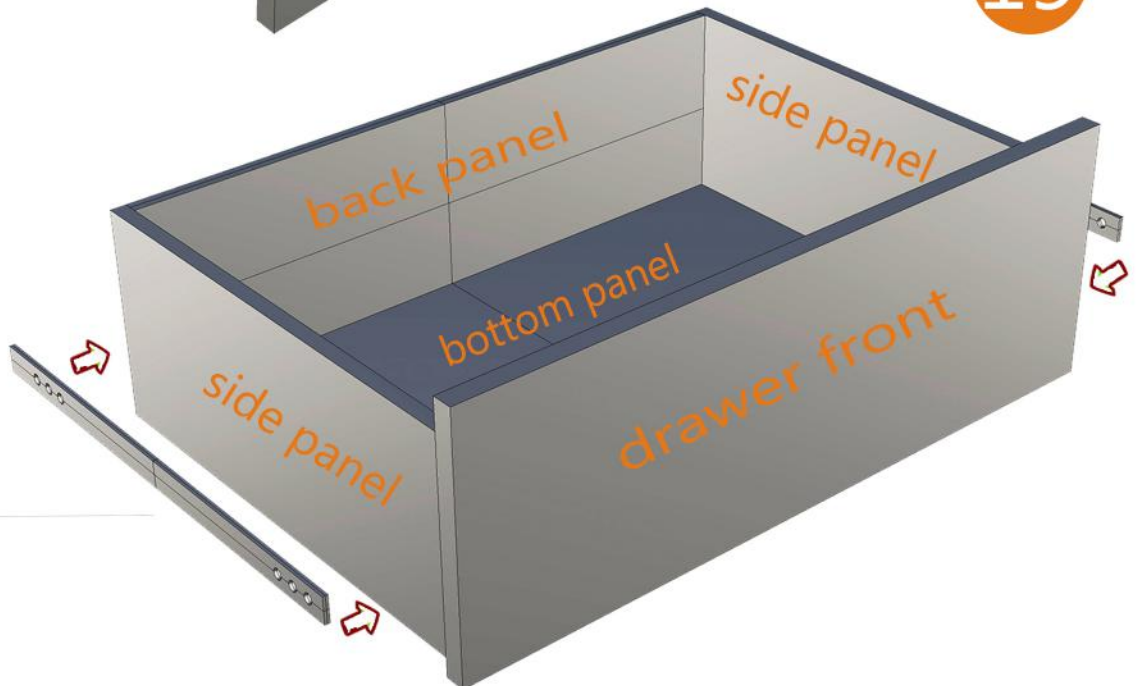


Front

Back



19



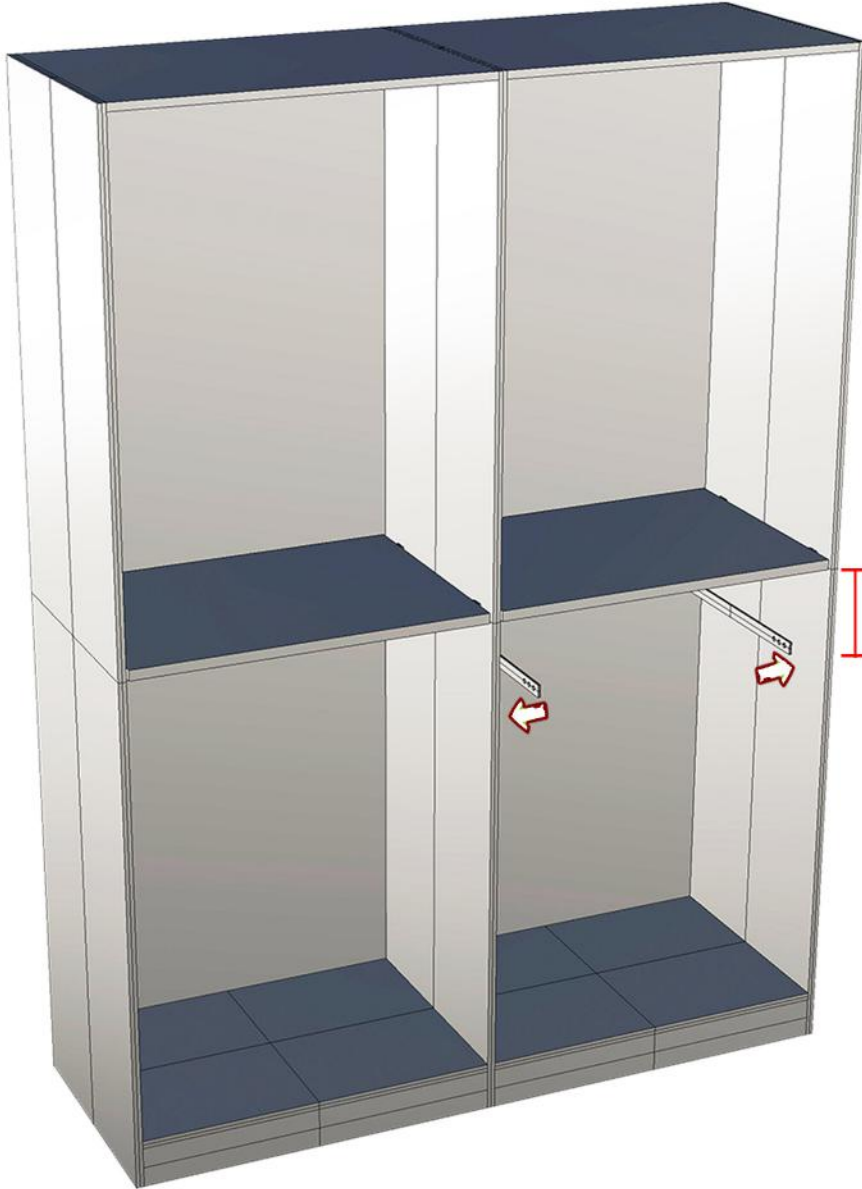
In the middle of drawer side panel

front of drawer slider shall be flush with the front of the side panel

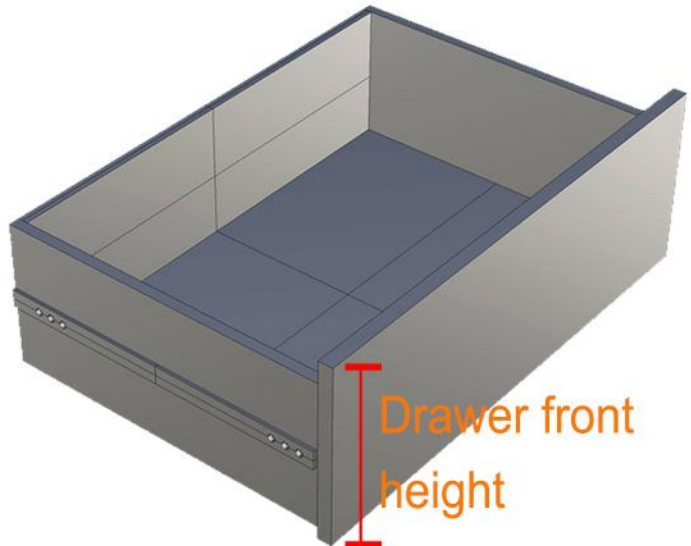
Wardrobe Carcass Assembly instructions

PROCESS

20



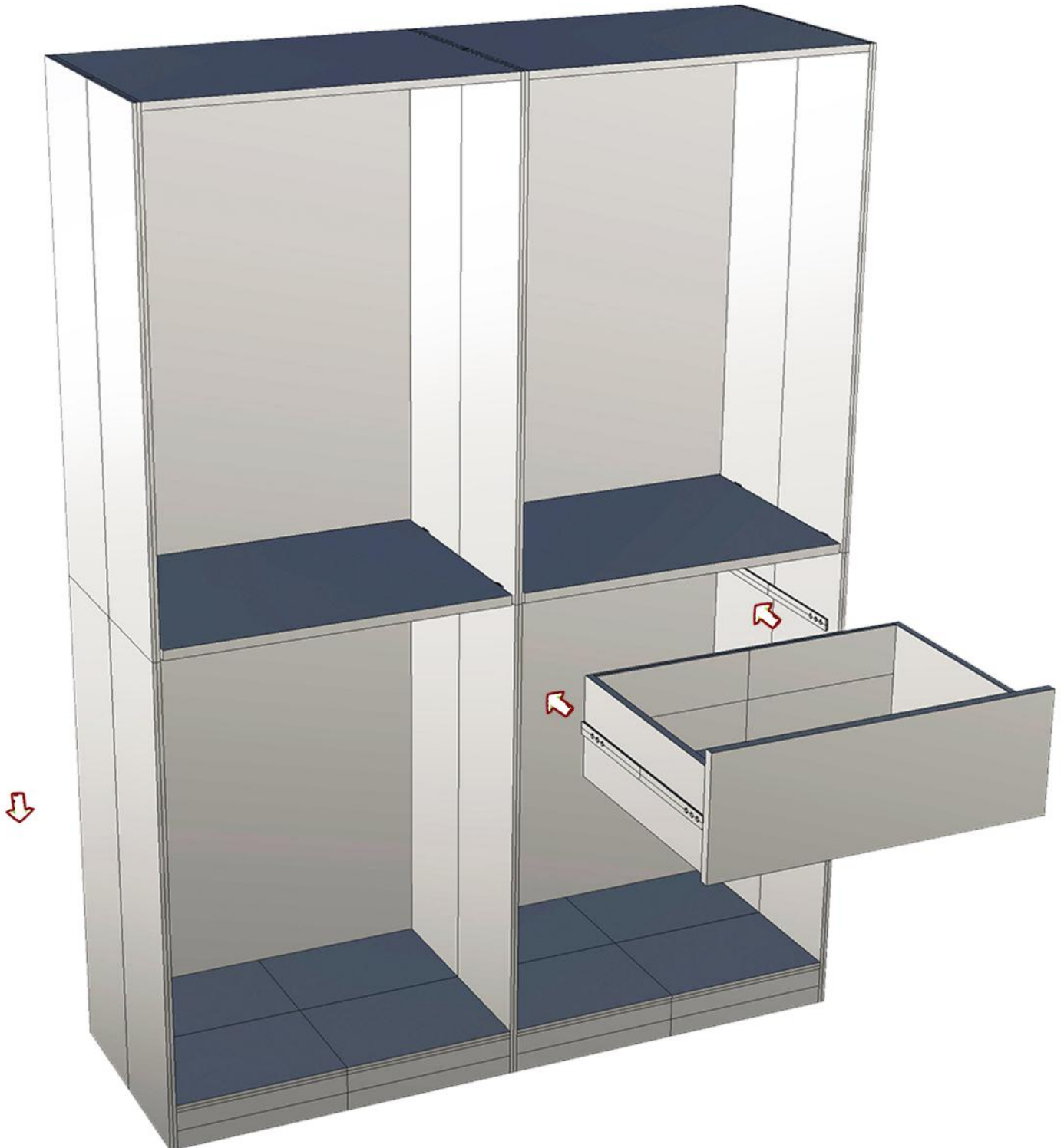
Drawer slide position on carcass is calculated as the middle of one drawer front



Wardrobe Carcass Assembly instructions

PROCESS

21



Wardrobe Carcass Assembly instructions

PROCESS

Drawer installation complete

22

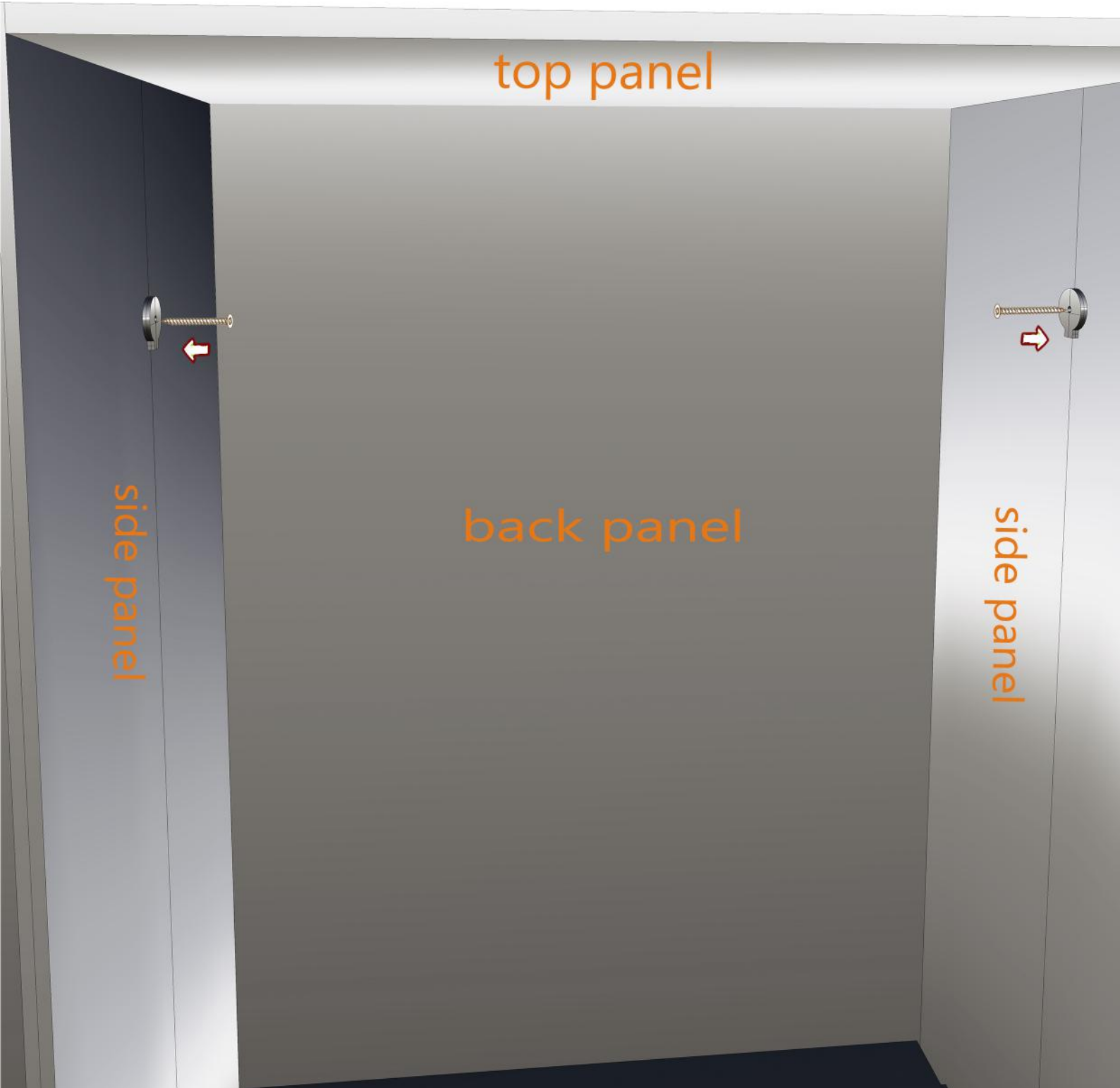


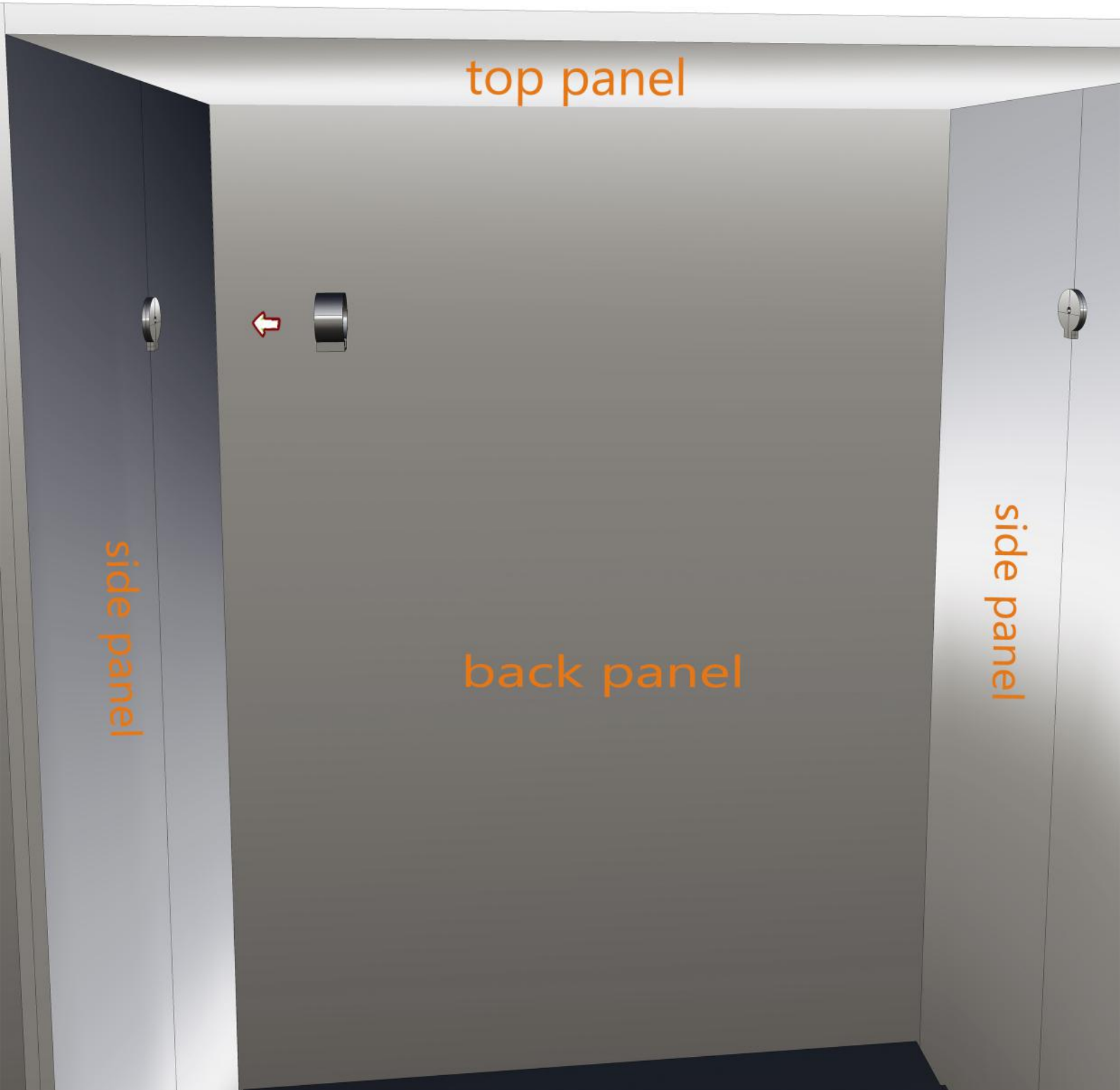
Wardrobe Carcass Assembly instructions

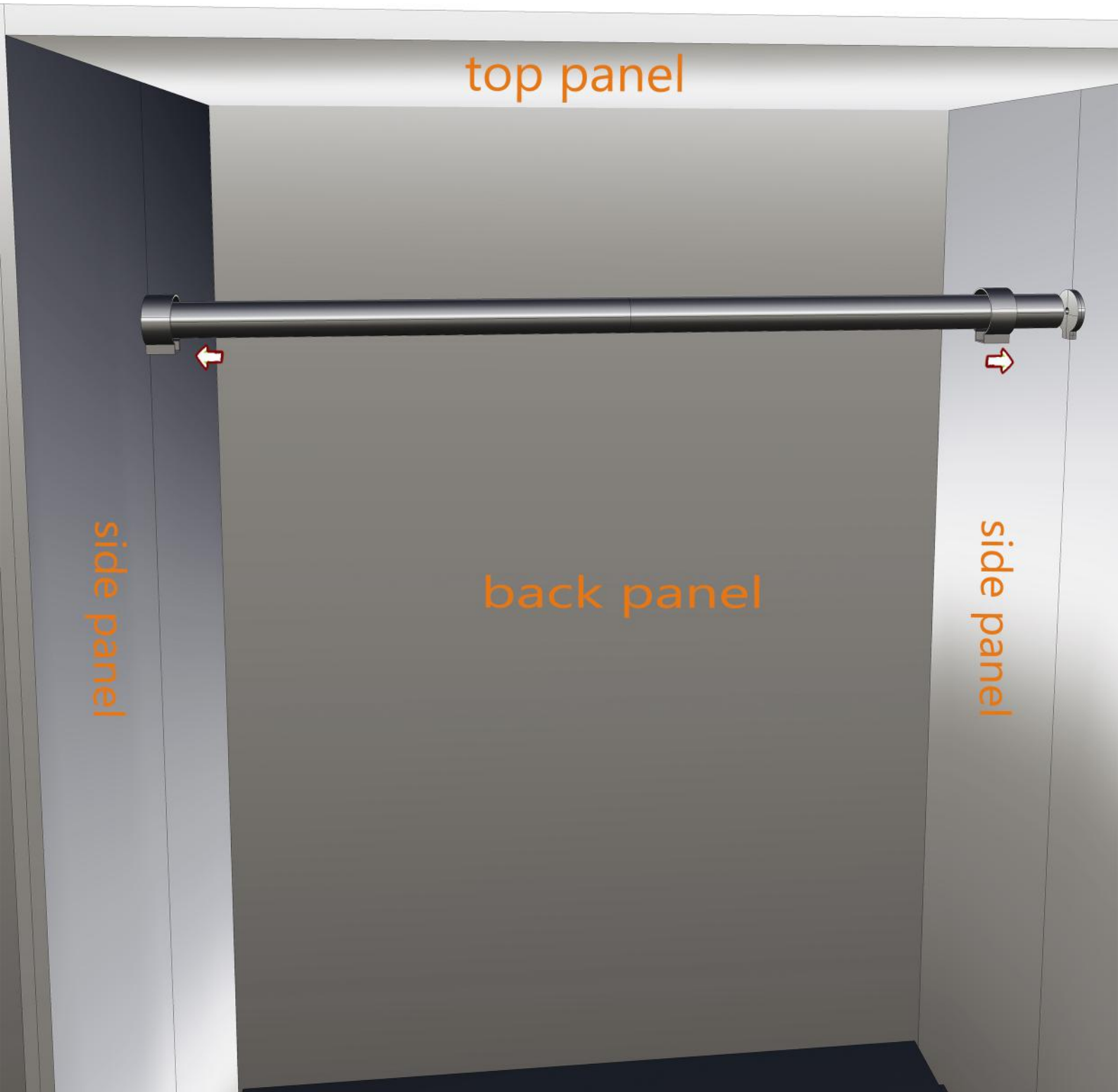
PROCESS

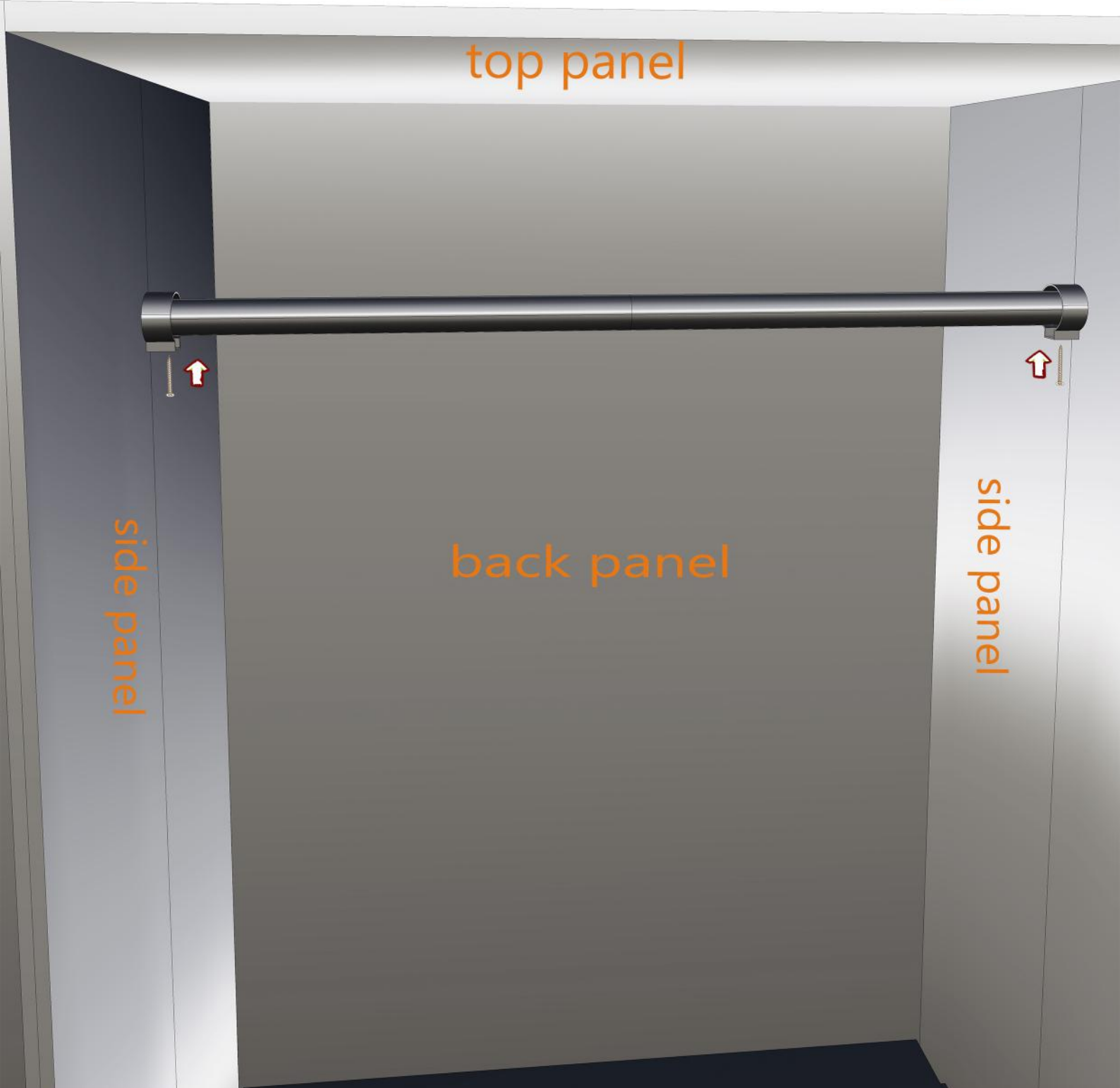
Hanger installation

23









Wardrobe Carcass Assembly instructions

PROCESS

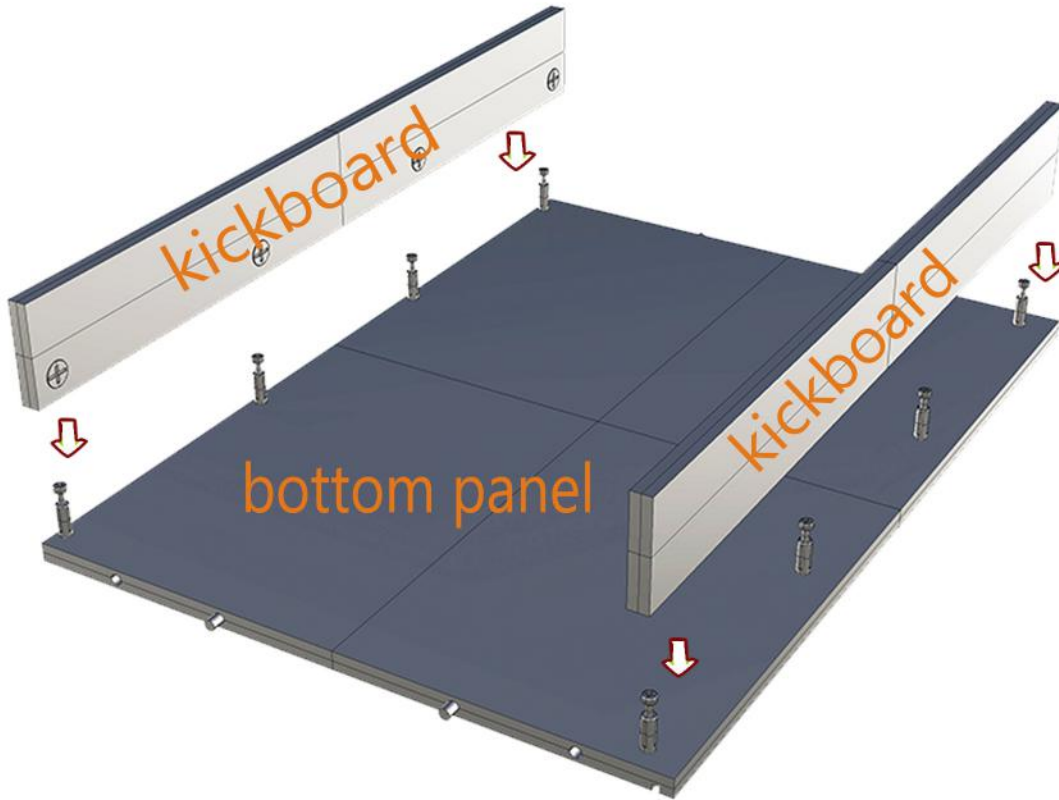
Wardrobe installation complete

27



Wardrobe Carcass Assembly instructions

PROCESS



1



2

Wardrobe Carcass Assembly instructions

PROCESS

3 shelf support



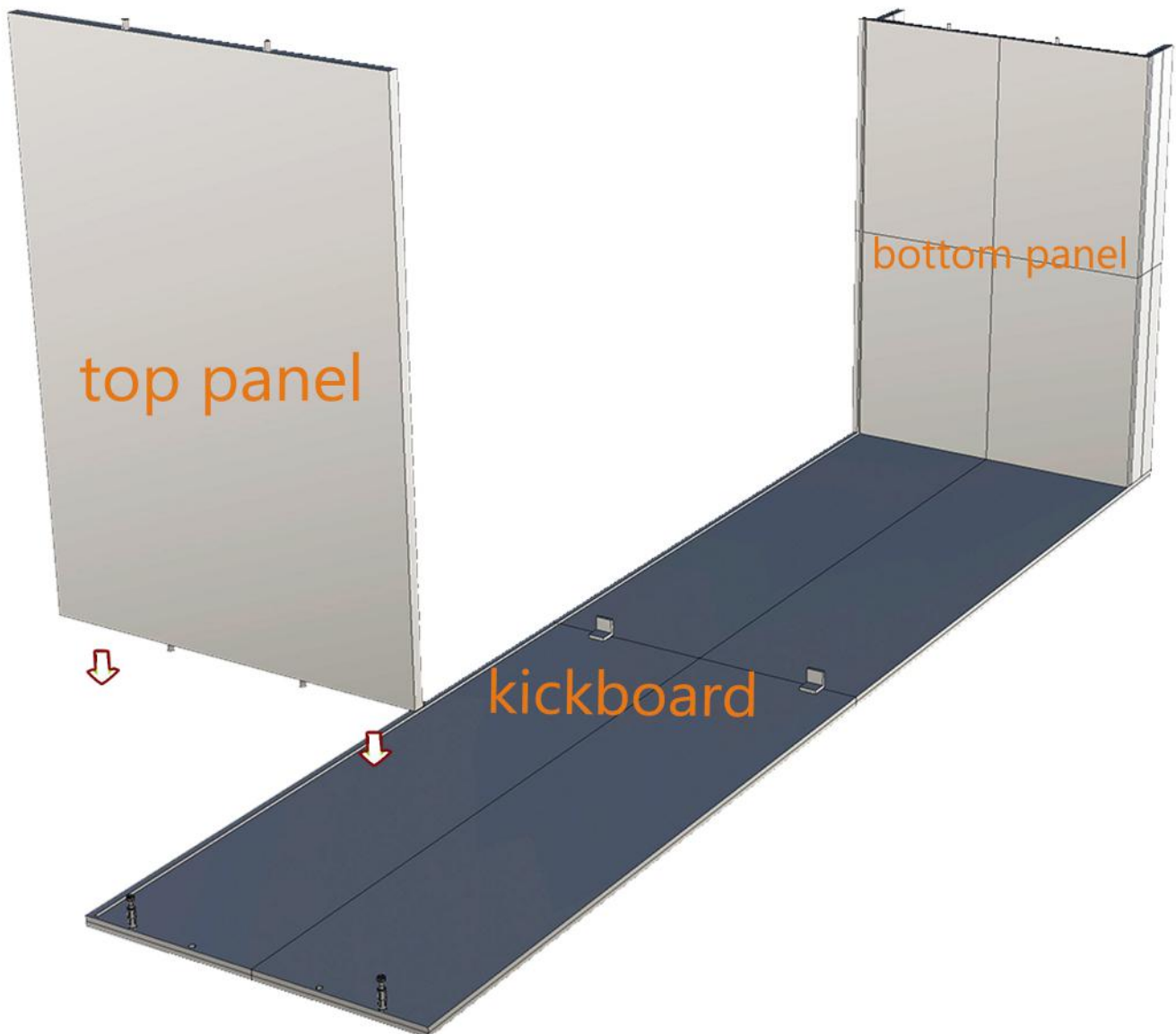
4



Wardrobe Carcass Assembly instructions

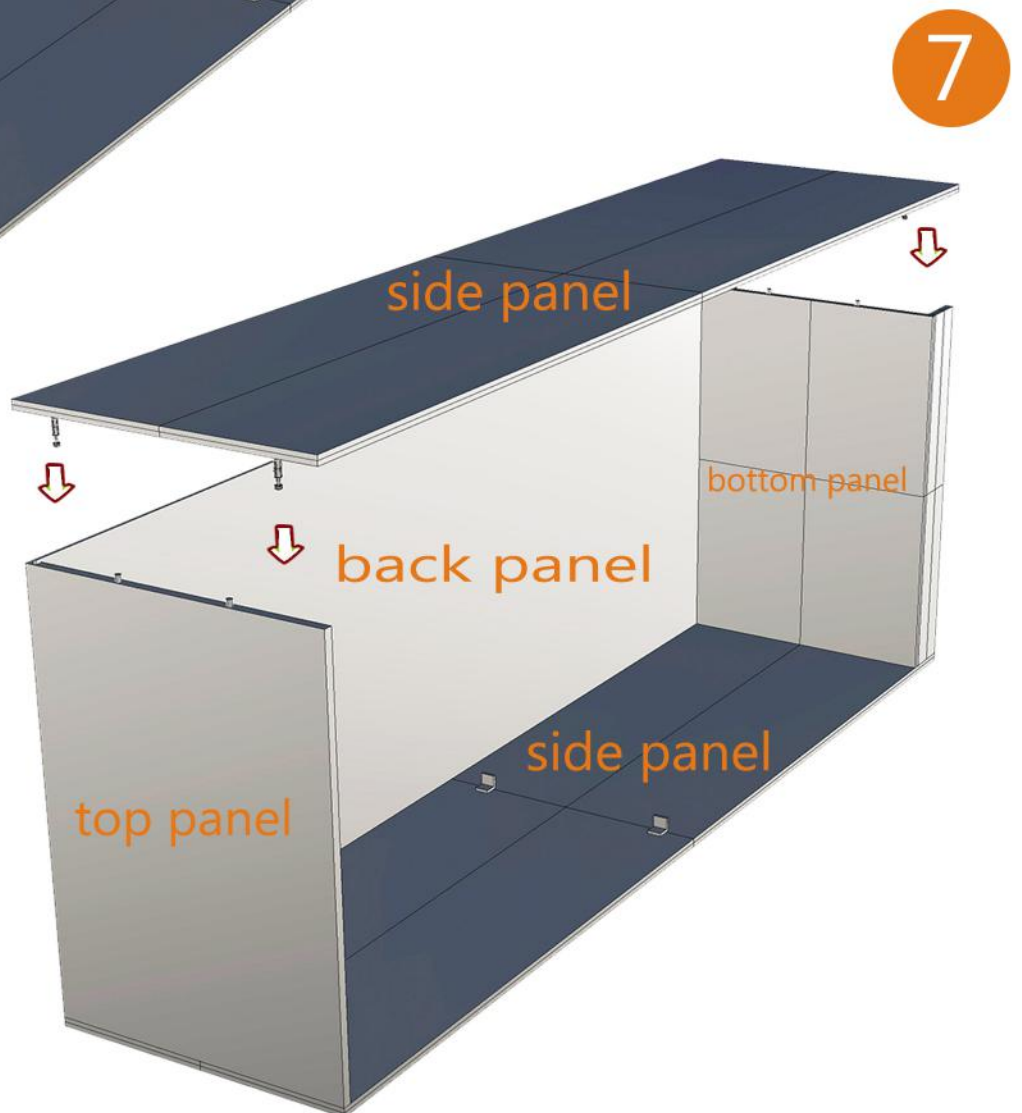
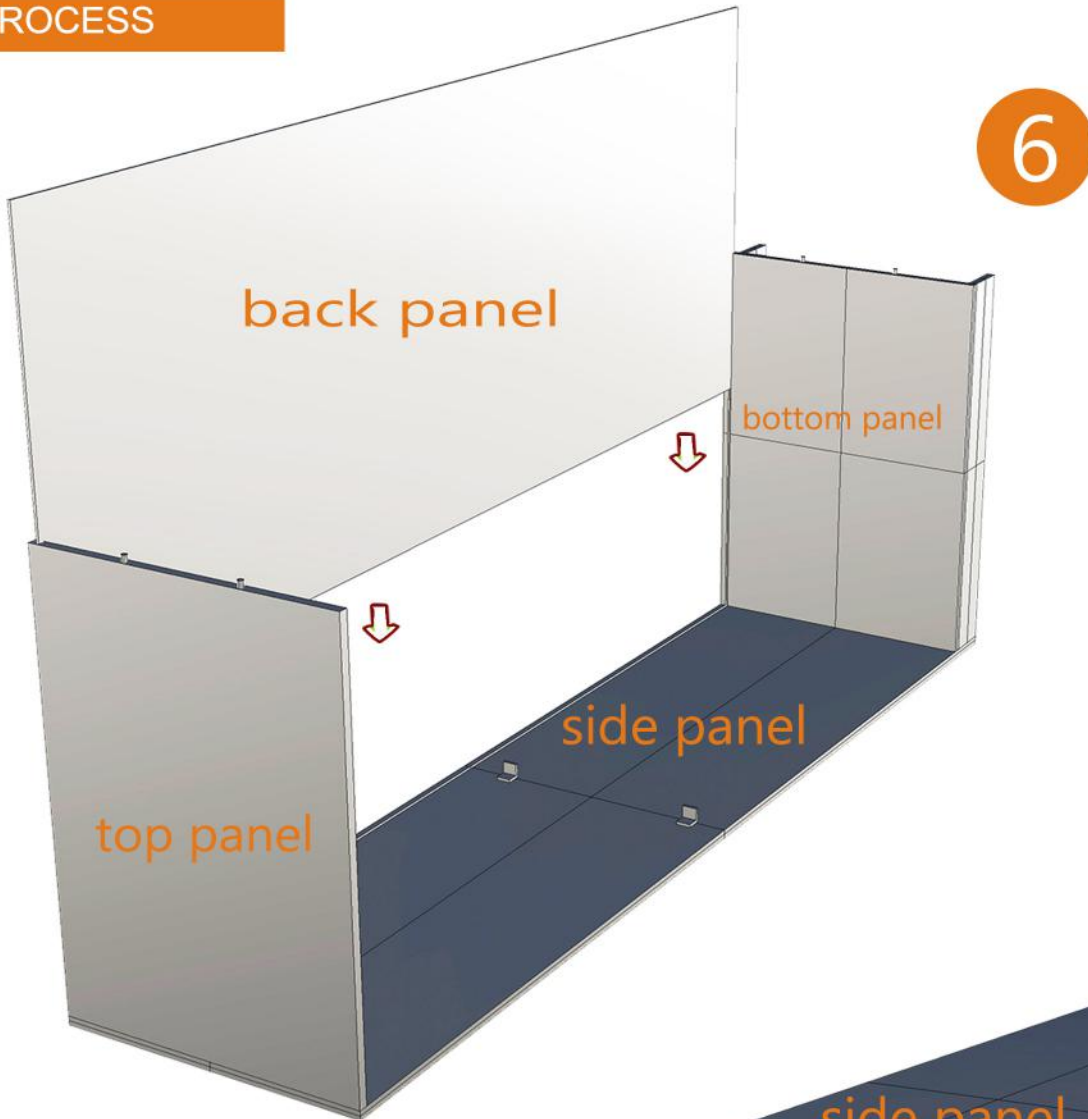
PROCESS

5



Wardrobe Carcass Assembly instructions

PROCESS



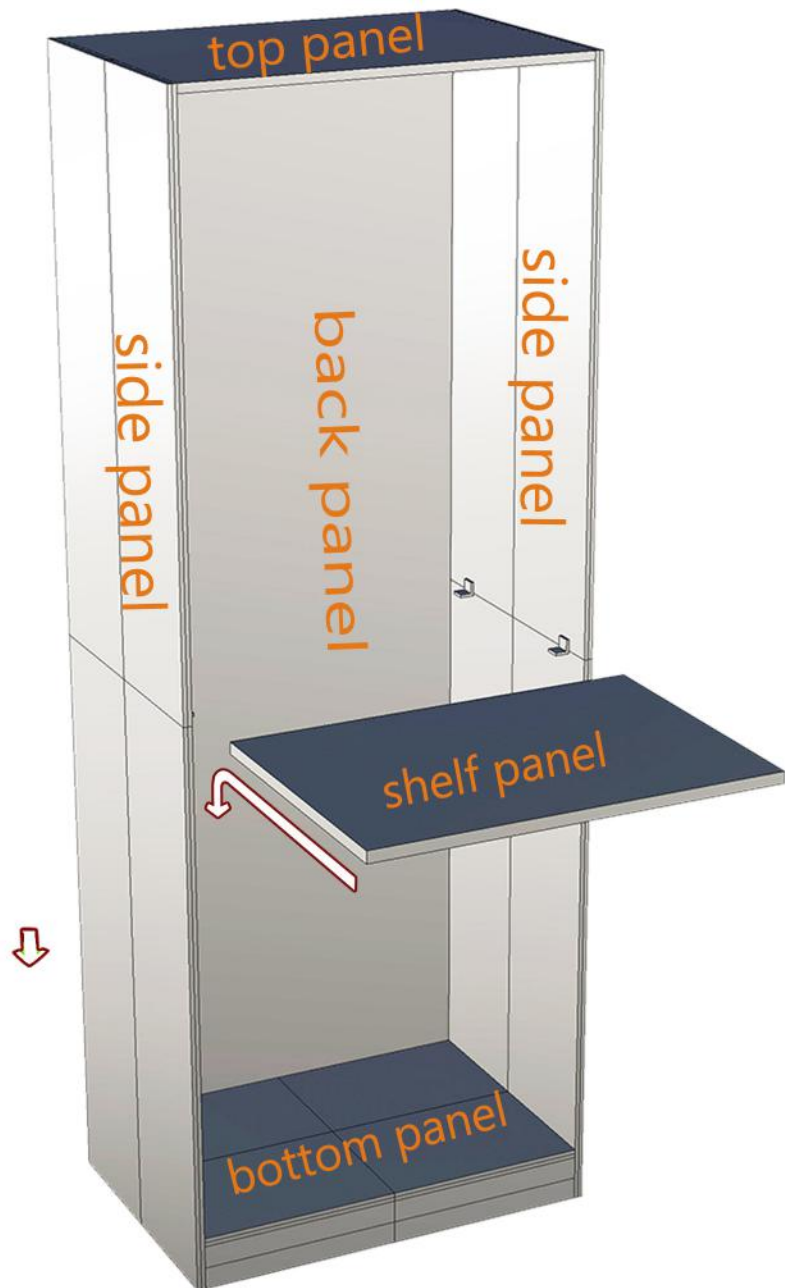
Wardrobe Carcass Assembly instructions

PROCESS

8



9



Wardrobe Carcass Assembly instructions

PROCESS

Cabinet unit installation is complete.

10

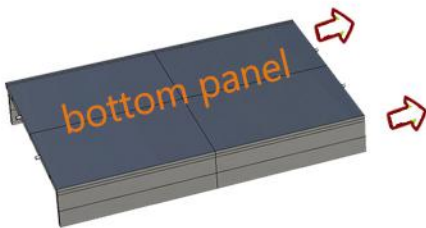


Wardrobe Carcass Assembly instructions

PROCESS



11

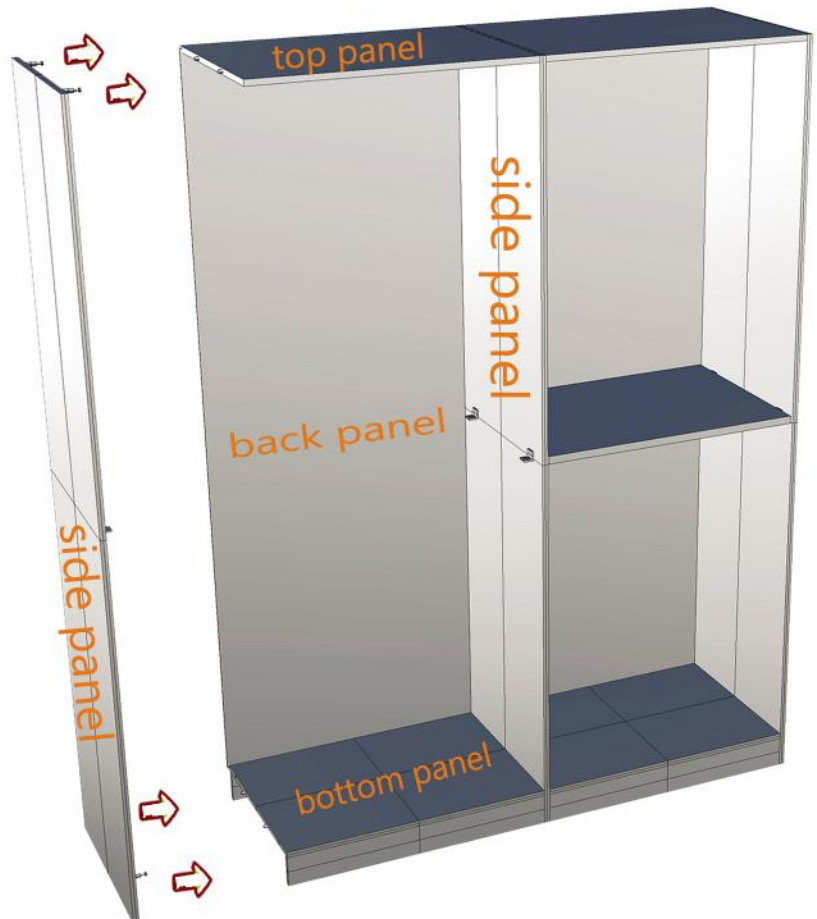
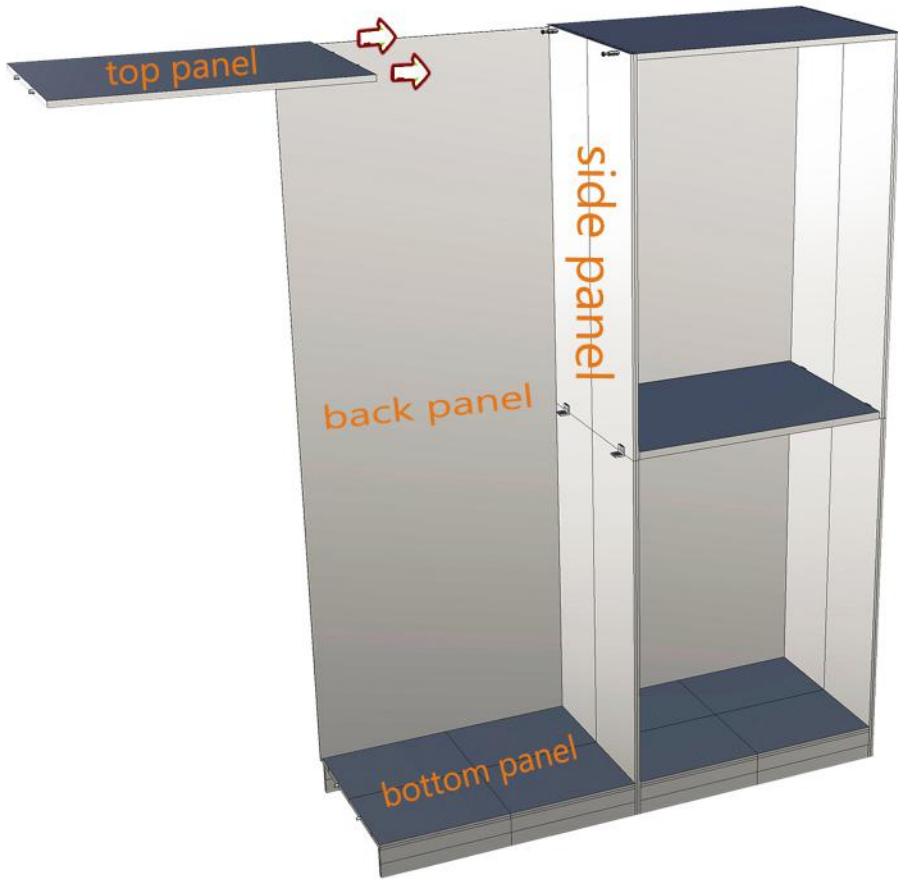


12



Kitchen Carcass Assembly instructions

PROCESS



Wardrobe Carcass Assembly instructions

PROCESS

Wardrobe Unit Installation Complete

15

